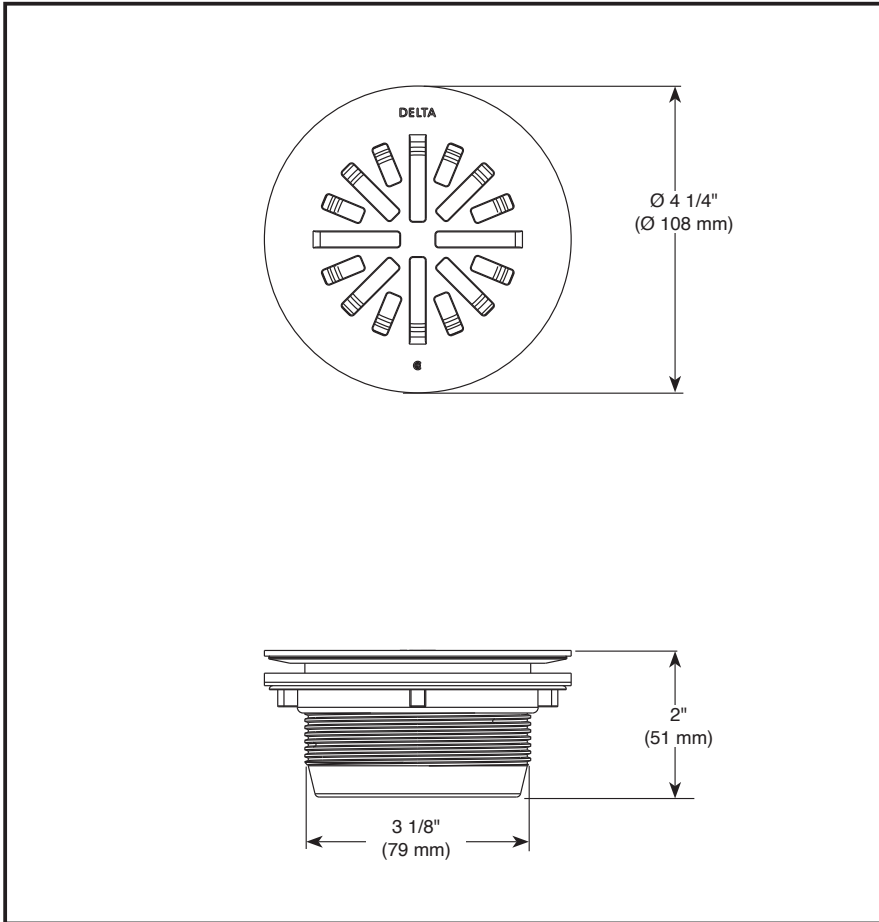


Submitted Model No.: _____

Specific Features: _____



▲ Designate proper finish suffix



see what Delta can do™

ACCESSORIES

■ 4" Prefab Round Shower Drain

STANDARD SPECIFICATIONS:

- Brass body and drain grate
- Snap-in drain grate
- Drain for use with preformed shower stall bases
- Compression gasket tightens around 2" Schedule 40 pipe with caulking nut and wrench
- For use with 2" metal or plastic pipe; includes 2" plastic pipe gasket/bushing.

WARRANTY

- Parts and Finish - Lifetime limited warranty; or for commercial purchasers, 10 years for multi-family residential (apartments and condominiums) and 5 years for all other commercial uses, in each case from the date of purchase.
- Electronic Parts and Batteries (if applicable) - 5 years from the date of purchase; or for commercial purchasers, 1 year from the date of purchase. No warranty is provided on batteries.

COMPLIES WITH:

- ASME A112.18.2 / CSA B125.2

Delta reserves the right (1) to make changes in specifications and materials, and (2) to change or discontinue models, both without notice or obligation. Dimensions are for reference only. See current full-line price book or www.deltafaucet.com for finish options and product availability.

DSP-A-DT051411 Rev. A

Delta Faucet Company

55 E. 111th Street, Indianapolis, Indiana 46280
350 South Edgeware Road, St. Thomas, Ontario Canada N5P 4L1
© 2022 Delta Faucet Company



see what Delta can do™

38" NEO ANGLE SHOWER BASE

- Made with High-Gloss ProCrylic™ Material
- Direct-to-Stud installation
- Uses Standard Shower Drain with 4 1/4" Strainer
- Textured Bottom
- 10 Year Limited Residential Warranty
- 1 Year Limited Commercial Warranty

422062

Submitted Model No.:

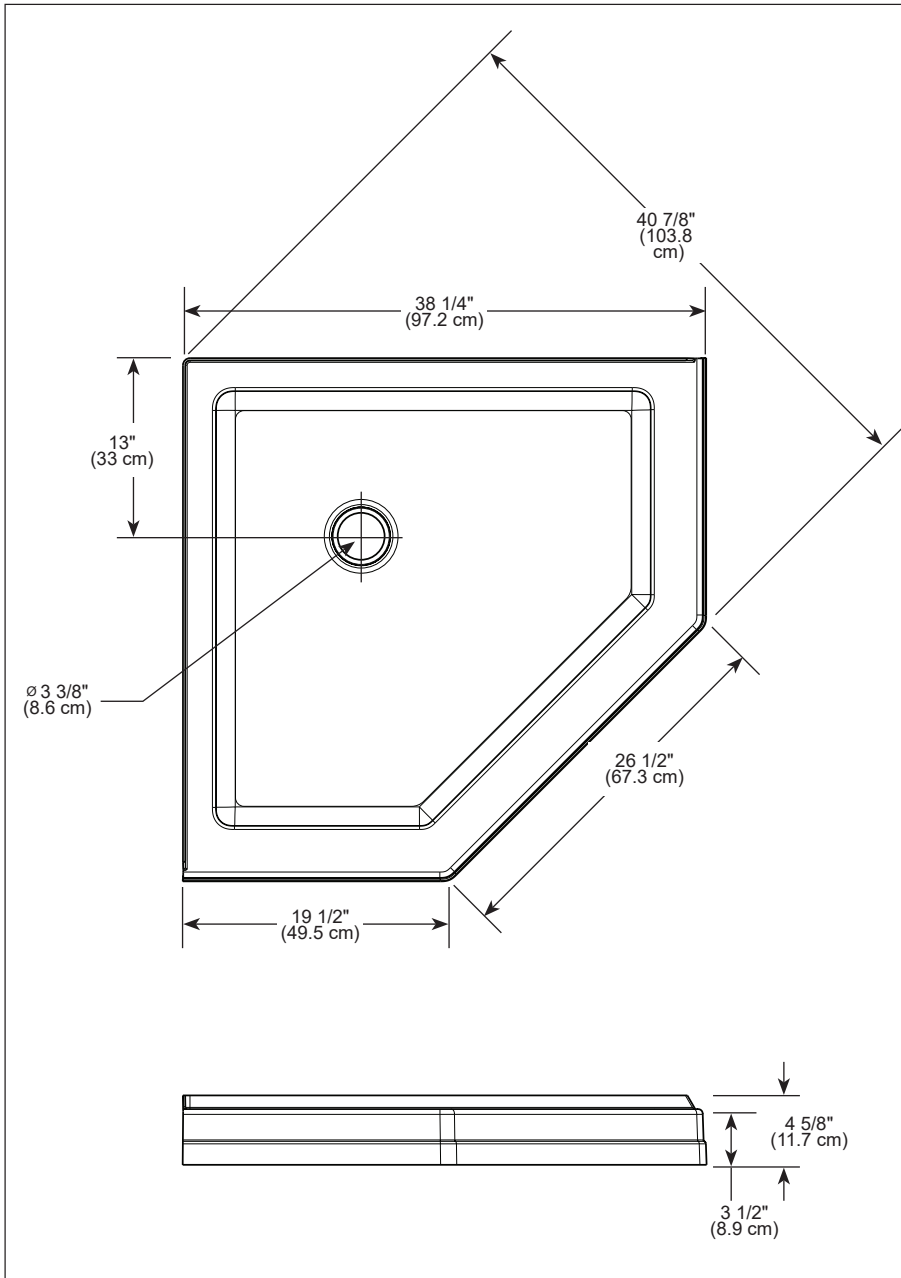
Specific Features:

COLOR/FINISH

- White

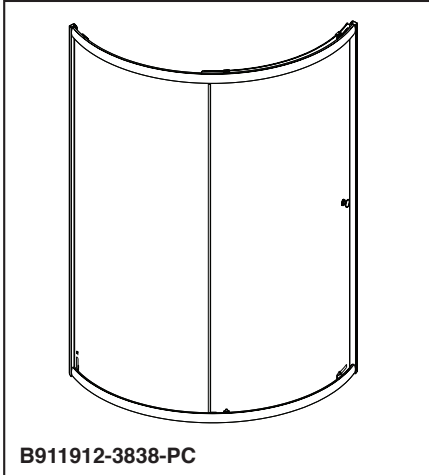
COMPLIES WITH:

- CSA B45.5/IAPMO Z124



Delta Faucet Company
55 E. 111th Street, Indianapolis, Indiana 46280
350 South Edgeware Road, St. Thomas, ON N5P 4L1
© 2023 Delta Faucet Company

38" Round Shower Enclosure



MODEL B911912-3838-PC 38" ROUND SHOWER ENCLOSURE

- Fits 38" Round shower base
- Chrome finish hardware
- Clear tempered glass door and panels
- Do-It-Yourself installation instructions
- Can install with tile applications
- 1 Year limited residential & commercial warranty

COLOR/FINISH

- Clear Glass
- Chrome Hardware

COMPLIES WITH:

- IAPMO IGC 154

Submitted Model No.: _____

Specific Features: _____

